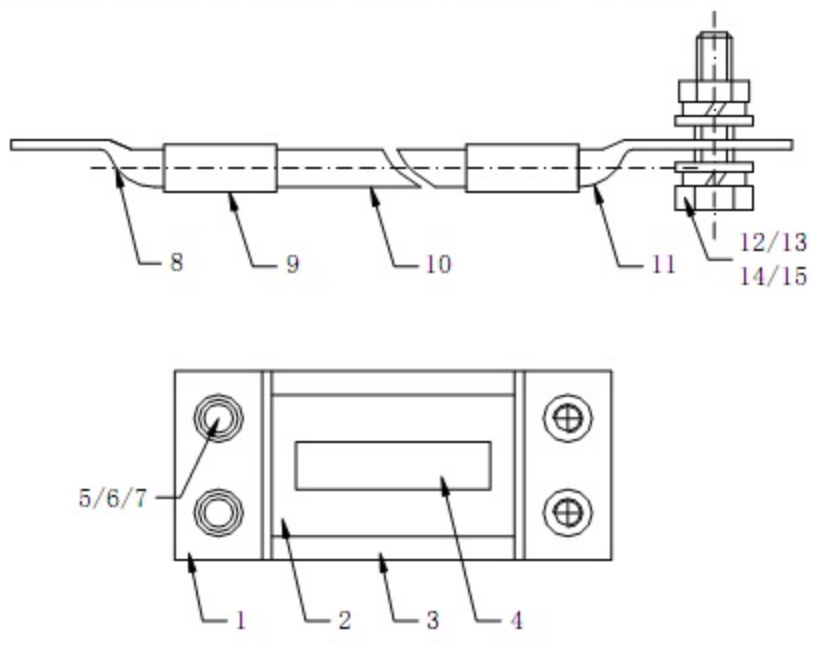


Description

The grounding kit is made of high-purity copper and grounding wire, it's applied to the feeder grounding. The contact resistance, insulation resistance, etc. can meet the requirements of communication industry, and it can prevent the damage to relevant devices which due to lighting stroke or large current.

Framework type grounding kit, which is also called self-adhesive type, because two mastics are stuck inside the framework. Mount the framework on the out conductor, then tighten the bolt, the inside mastic has sealing feature without additional tape required.



No.	Piece Parts	Size	Materials
1	Grounding Strap	1/4"~1-5/8"	Rubber, SUS304
2	Waterseal Mastic	Φ5	Butyl Rubber
3	Braided Tape		Copper, Tin-plated
4	O-ring Washer	M6	Black Rubber
5	Serrated Washer	M6	SUS304
6	Inner Hex Bolt	M6*25	SUS304
7	Cable Lug	M6	Copper, Tin-plated
8	Heat Shrinkable Tube	Φ9*30	Polyolefin
9	Grounding Cable	16mm ²	Copper (Conductor)
			PVC (Jacket)
10	Cable lug	M8	Copper, Tin-plated
11	Outer Hex Nut	M8	SUS304
12	Spring Washer	M8	SUS304
13	Plain Washer	M8	SUS304
14	Outer Hex Bolt	M8*25	SUS304



Specification

Standard	YD/T 2339.1-2011
Application	1/4", 1/2", 7/8", 5/4", 13/8", etc.
Contact Resistance	$\leq 5\text{m}\Omega$
Current Shock Withstanding	$\geq 20\text{KA}(8/20\mu\text{s})$
Insulation Resistance	10G Ω
Low Temperature ($-40\pm 3^{\circ}\text{C}$)	24 Hours
High Temperature ($70\pm 2^{\circ}\text{C}$)	24 Hours
Sealing Property	24 Hours, 1 meter underwater
2011/65/EC (RoHS)	Compliant



LPI
NEW ZEALAND
WWW.LPINZ.CO.NZ

- POWER FACTOR CORRECTION
- SURGE / LIGHTNING PROTECTION
- HARMONIC CORRECTION
- FREQUENCY CONVERTER
- POWER AUDITING / EARTHING PRODUCTS
- UPS & BATTERIES / POWER TRANSFORMERS

Auckland 09 833 5749 - Waikato 07 282 1011 - Wellington 04 282 0925 - Christchurch 03 281 8041